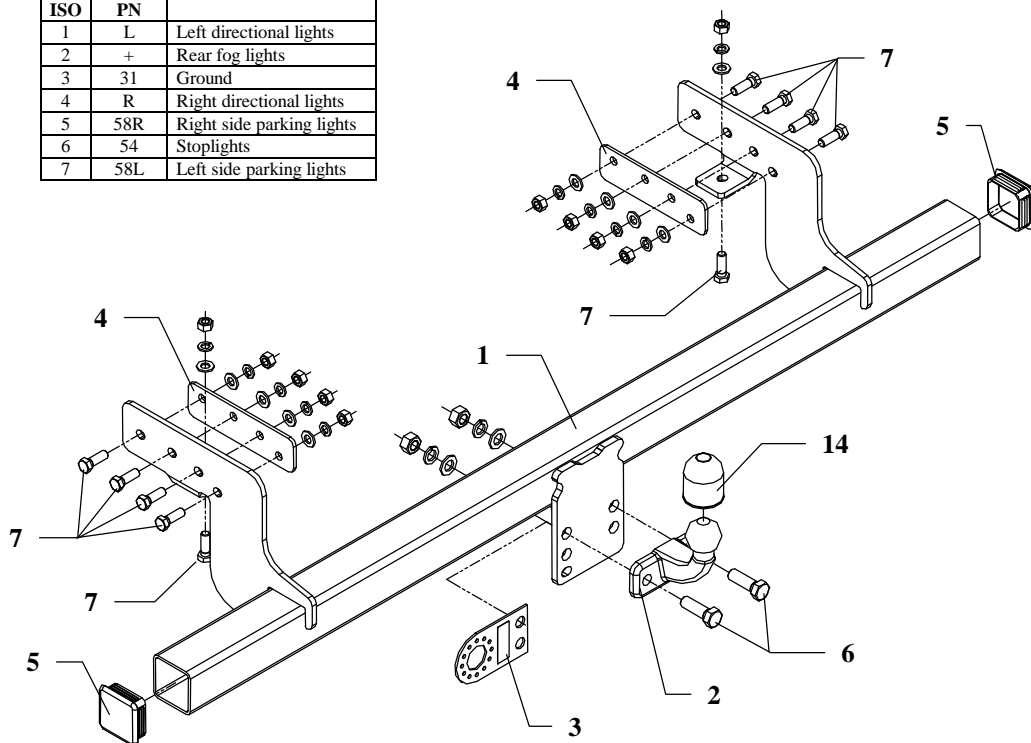


## FITTING INSTRUCTION

| Clamp mark<br>in acc. with |     | Cables joining            |
|----------------------------|-----|---------------------------|
| ISO                        | PN  |                           |
| 1                          | L   | Left directional lights   |
| 2                          | +   | Rear fog lights           |
| 3                          | 31  | Ground                    |
| 4                          | R   | Right directional lights  |
| 5                          | 58R | Right side parking lights |
| 6                          | 54  | Stoptlights               |
| 7                          | 58L | Left side parking lights  |



This towing hitch is designed to assembly in following cars:  
**MITSUBISHI L200, loading platform**, produced since 1996 till 2002 and since 2003 till 2005, catalogue number **Z01** and is prepared to tow trailers max total weight up to **2700 kg** and max vertical mass **100 kg**.

### *From manufacturer*

Thank you for buying our product. Their reliability has been confirmed in many tests. Reliability of towing hitch depends also on correct assembly and right operation. For this reasons we kindly ask to read carefully this instruction and apply to hints.

*The towing hitch should be installed in points described by a car producer.*

## The instruction of the assembly

1. Disassemble original bumper-pipe from frame of the car chassis.
2. To place after original bumper-pipe put main bar of the towbar (pos. 1) and fix it through holes in side brackets using bolts M12x35mm (pos. 7) from equipment. From inside of the frame put fish-plates (pos. 4) as shown in the drawing.
3. On ends of pipe put in supplied plugs (pos. 5).
4. Fix tow-ball (pos. 2) with socket plate (pos. 3) using bolts M16x50mm (pos. 6) as shown in the drawing.
5. Tighten all bolts according to the torque shown in the table.
6. Connect electric wires of 7-poles socket according to the instruction of the car. (Recommend to make at authorized service station).
7. Complete paint layer damaged during installation.

Torque settings for nuts and bolts (8,8):

|                    |                     |                     |
|--------------------|---------------------|---------------------|
| <b>M6</b> - 11 Nm  | <b>M8</b> - 25 Nm   | <b>M10</b> - 50 Nm  |
| <b>M12</b> - 87 Nm | <b>M14</b> - 138 Nm | <b>M16</b> - 210 Nm |

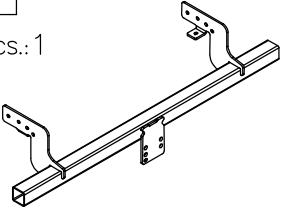
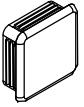

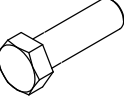

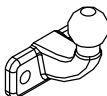
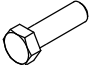




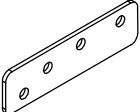


### NOTE

After installation of the towing hitch you should get adequate note in registration book (at authorised service station).The car should be equipped with:

- Indicators
- Tow mirrors

Check all bolts and nuts after **1000 km** of exploitation. The ball of the towing hitch must be always kept clear and conserve with a grease.

Part list:

|  |   |   |
|--|---|---|
| Pos. 1<br>Main bar<br>PCS.: 1<br>      | Pos. 5<br>Pipe plug<br>PCS.: 2<br>               | Pos. 10<br>Spring washer<br>Ø16,3mm<br>PCS.: 2<br>  |
|  | Pos. 6<br>Bolt 8,8 B<br>M16x50mm<br>PCS.: 2<br>  | Pos. 11<br>Spring washer<br>Ø12,2mm<br>PCS.: 10<br> |
| Pos. 2<br>Tow ball<br>PCS.: 1<br>     | Pos. 7<br>Bolt 8,8 B<br>M12x35mm<br>PCS.: 10<br> | Pos. 12<br>Nut 8 B<br>M16<br>PCS.: 2<br>            |
| Pos. 3<br>Socket plate<br>PCS.: 1<br> | Pos. 8<br>Plain washer<br>Ø17mm<br>PCS.: 2<br>   | Pos. 13<br>Nut 8 B<br>M12<br>PCS.: 10<br>           |
| Pos. 4<br>Fish-plate<br>PCS.: 2<br>   | Pos. 9<br>Plain washer<br>Ø13mm<br>PCS.: 10<br>  | Pos. 14<br>Ball cover<br>PCS.: 1<br>                |



**PPUH AUTO-HAK S.J.**

Produkcja Haków Holowniczych  
Henryk & Zbigniew Nejman  
76-200 SŁUPSK ul. Słoneczna 16K  
tel/fax (059) 8-414-414; 8-414-413  
E-mail: [office@autohak.com.pl](mailto:office@autohak.com.pl)  
[www.autohak.com.pl](http://www.autohak.com.pl)

**Towing hitch (without electrical set)**

Class: **A50-X** Cat. no. **Z01**

Designed for:

Manufacturer: **mitsubishi**

Model: **L-200**

Type: **loading platform**

produced since 1996 till 2005

Technical data:

**D-value: 13,8 kN**

maximum trailer weight: **2700 kg**

maximum vertical cup mass: **100 kg**

**Approval number according to Directive 94/20/EC: e20\*94/20\*0518\*00**

**Foreword**

This towing hitch is designed according to rules of safety traffic regulations. The towing hitch is a safety component and can be install only by qualified personnel. Any alteration or conversion of the towing hitch is prohibited and would lead to cancellation of design certification. Remove insulating compound and underseal from vehicle (if present) in the areas of the matting surfaces of the towing hitch. The vehicle manufacturer's specifications regarding trailer load and max. vertical cup mass are decisive for driving whereat values for the towing hitch cannot be exceeded.

*D-value formula:*

$$\frac{\text{Max trailer weight [kg]} \times \text{Max vehicle weight [kg]}}{\text{Max trailer weight [kg]} + \text{Max vehicle weight [kg]}} \times \frac{9,81}{1000} = D \text{ [kN]}$$



[ahkupplungen.de](http://ahkupplungen.de)